

Sheet: ClockPowerJTAG



File: ClockPowerJTAG.sch

Sheet: MicroPorts



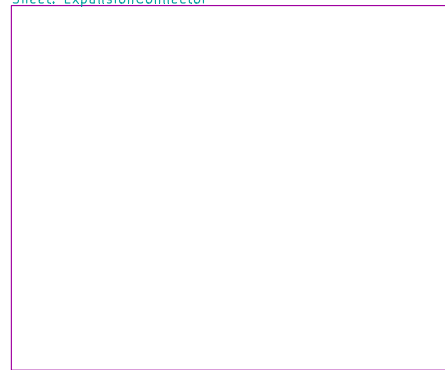
File: MicroPorts.sch

Sheet: Ethernet



File: Ethernet.sch

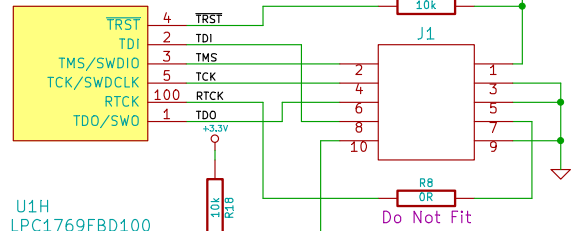
Sheet: ExpansionConnector



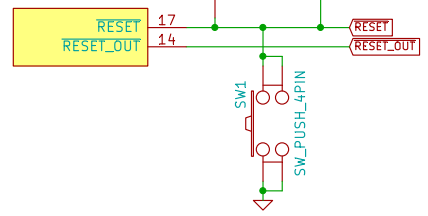
File: ExpansionConnector.sch

Black Ram Electronics		
File: BR_DEV_LPC1769.sch		
Sheet: /		
Title: BR_LPC1769		
Size: A4	Date: 27 jun 2013	Rev: A
KiCad E.D.A. eeschema (2013-05-31 BZR 4019)-stable		Id: 1/5

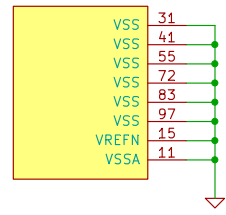
U1F
LPC1769FBD100



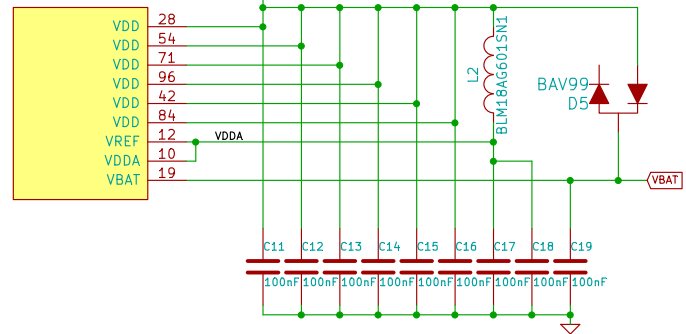
U1H
LPC1769FBD100



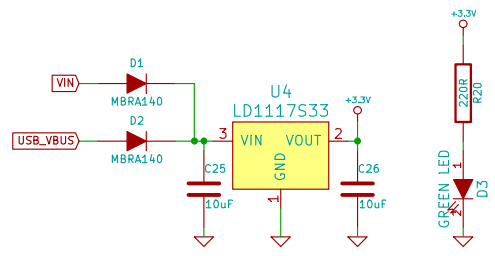
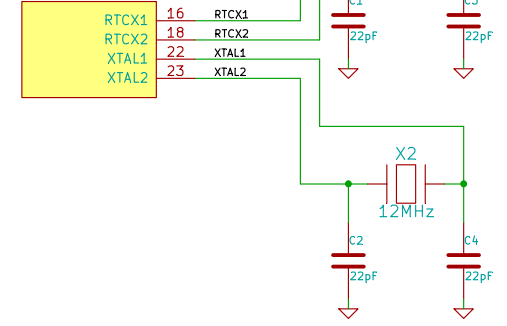
U1J
LPC1769FBD100



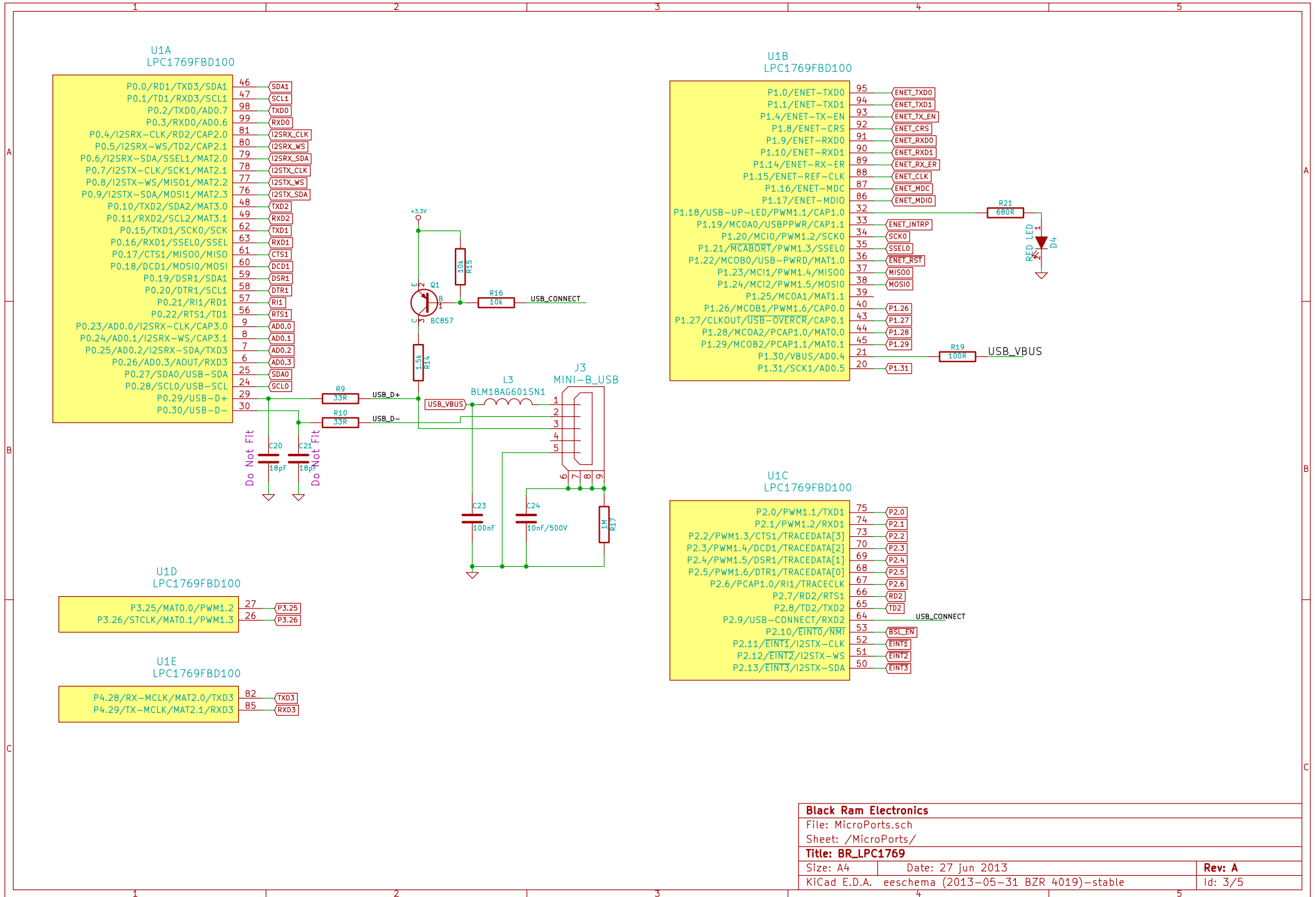
U1I
LPC1769FBD100

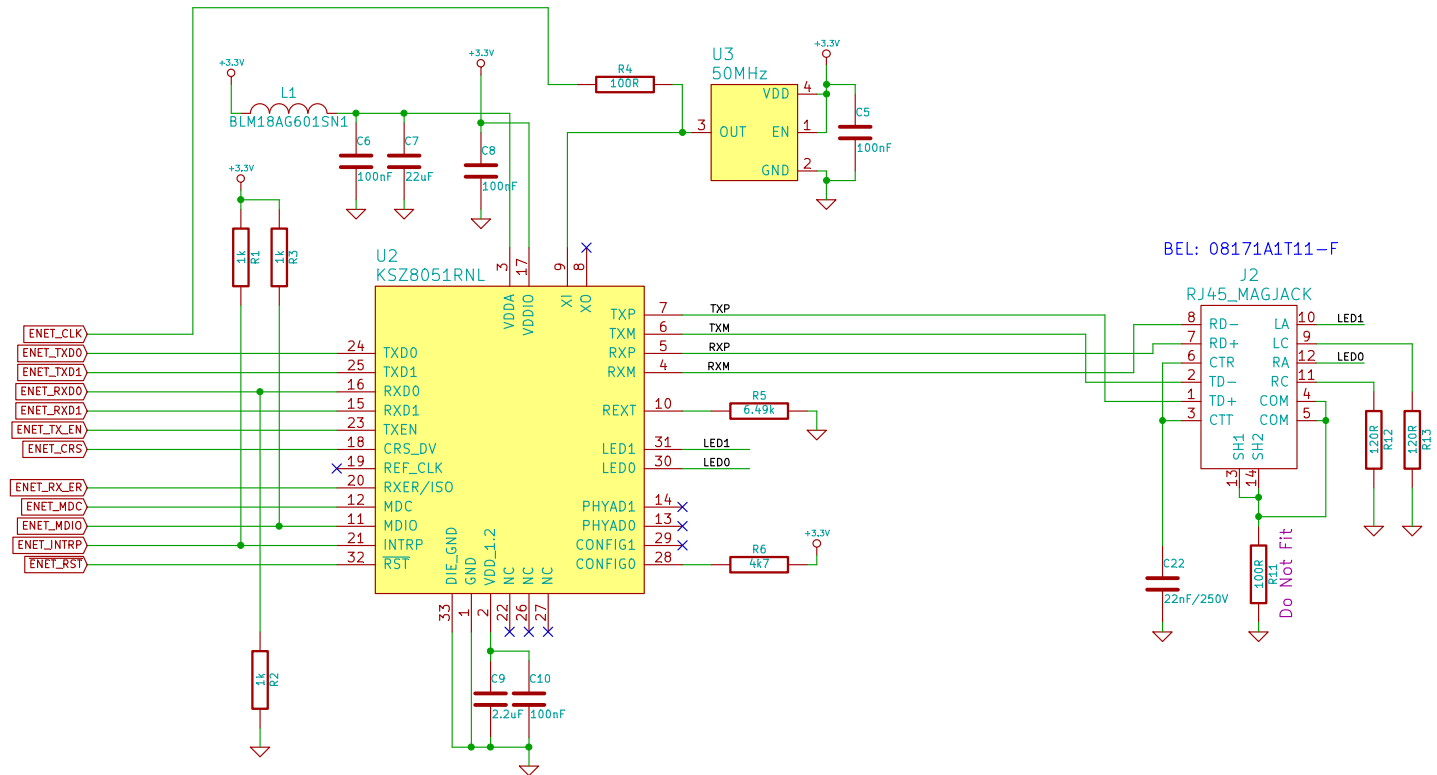


U1G
LPC1769FBD100

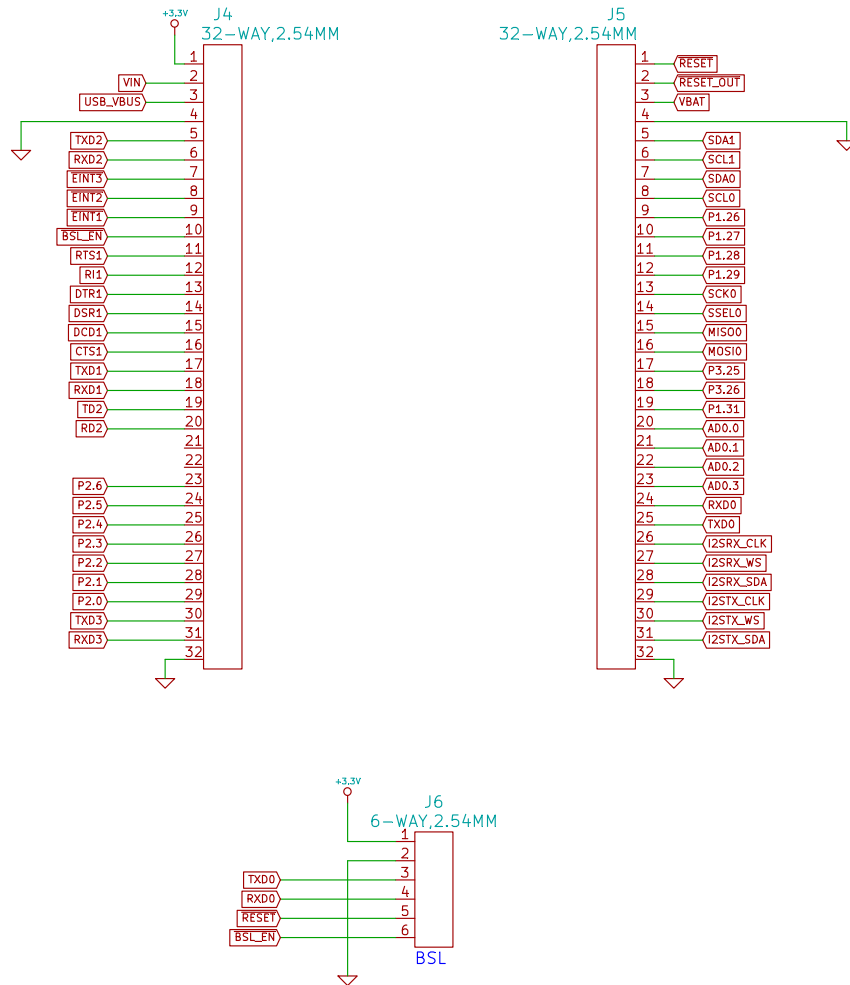


Black Ram Electronics		
File: ClockPowerJTAG.sch		
Sheet: /ClockPowerJTAG/		
Title: BR_LPC1769		
Size: A4	Date: 27 jun 2013	Rev: A
KiCad E.D.A. eeschema (2013-05-31 BZR 4019)-stable		Id: 2/5





Black Ram Electronics		
File: Ethernet.sch		
Sheet: /Ethernet/		
Title: BR_LPC1769		
Size: A4	Date: 27 jun 2013	Rev: A
KiCad E.D.A. eschema (2013-05-31 BZR 4019)-stable		Id: 4/5



Black Ram Electronics		
File: ExpansionConnector.sch		
Sheet: /ExpansionConnector/		
Title: BR_LPC1769		
Size: A4	Date: 27 jun 2013	Rev: A
KiCad E.D.A. eeschema (2013-05-31 BZR 4019)-stable		Id: 5/5